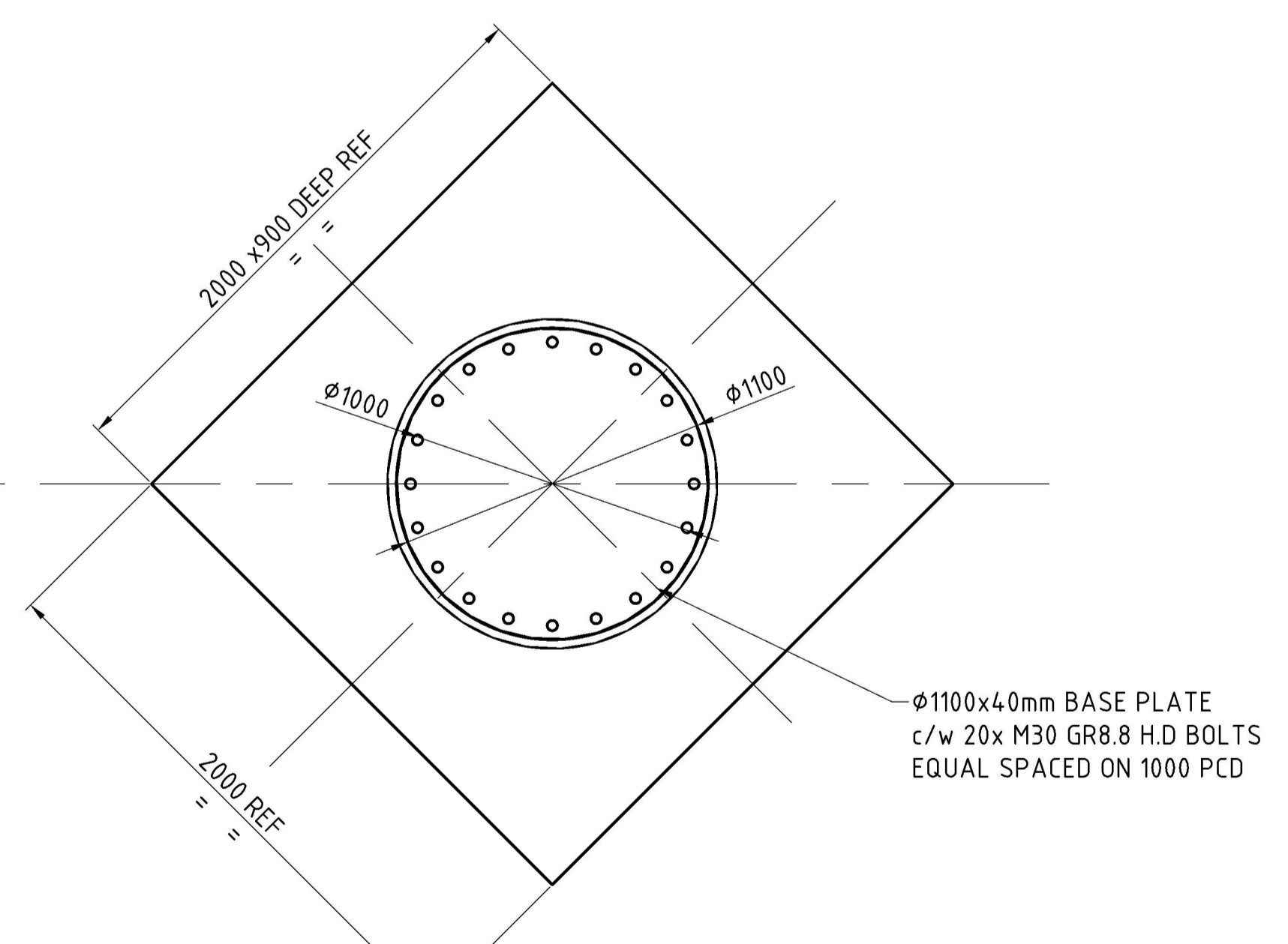
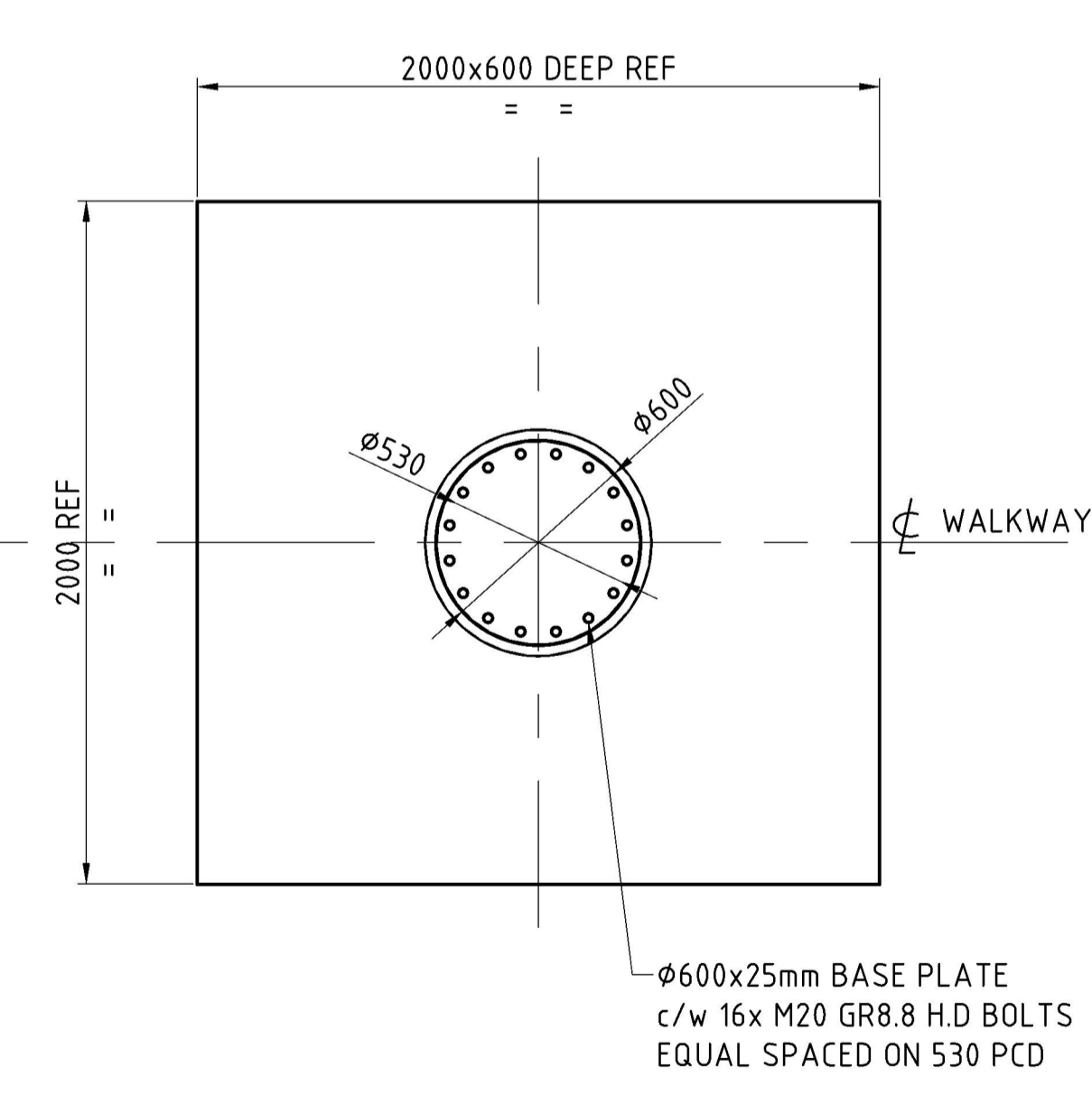
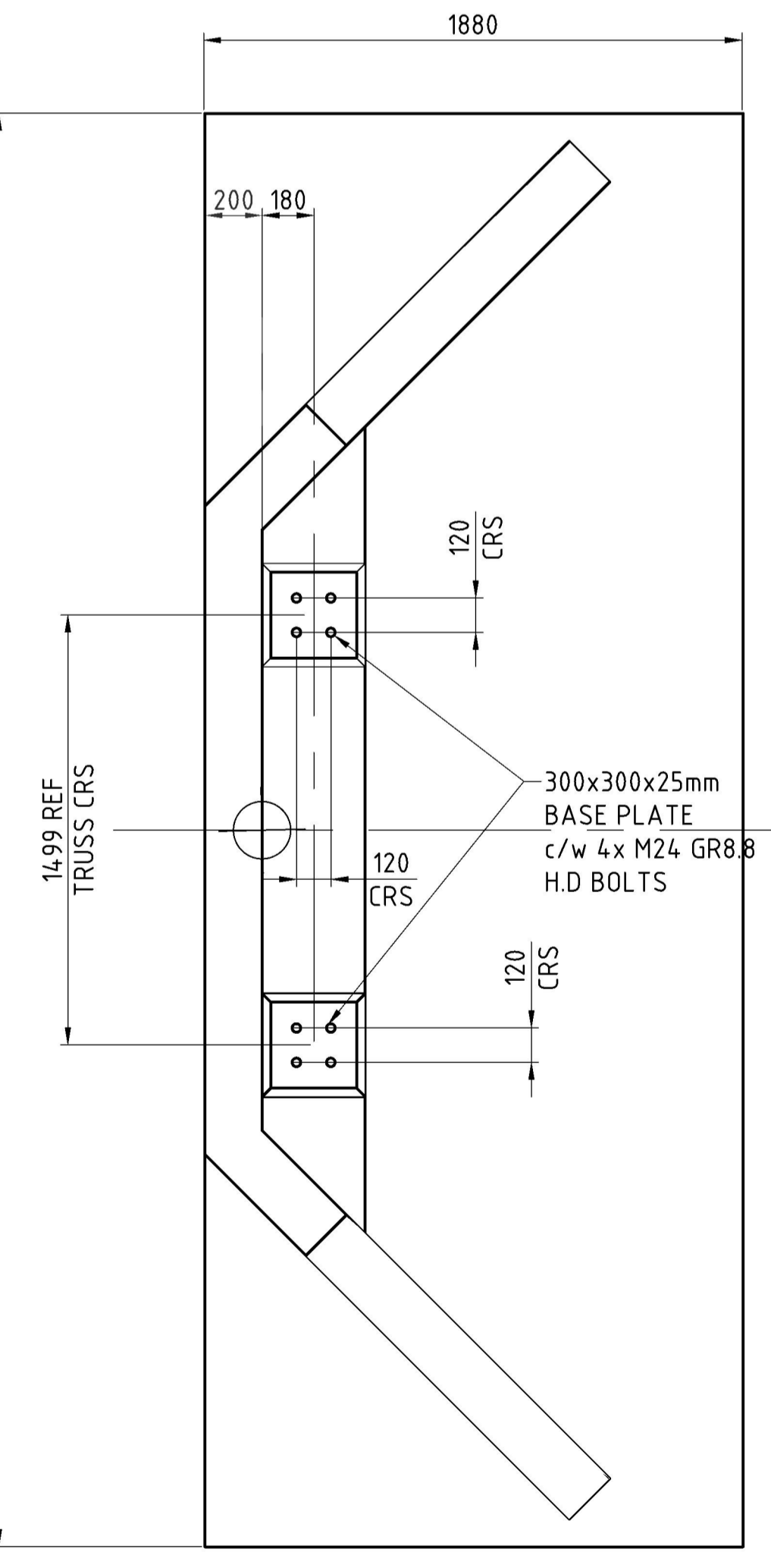
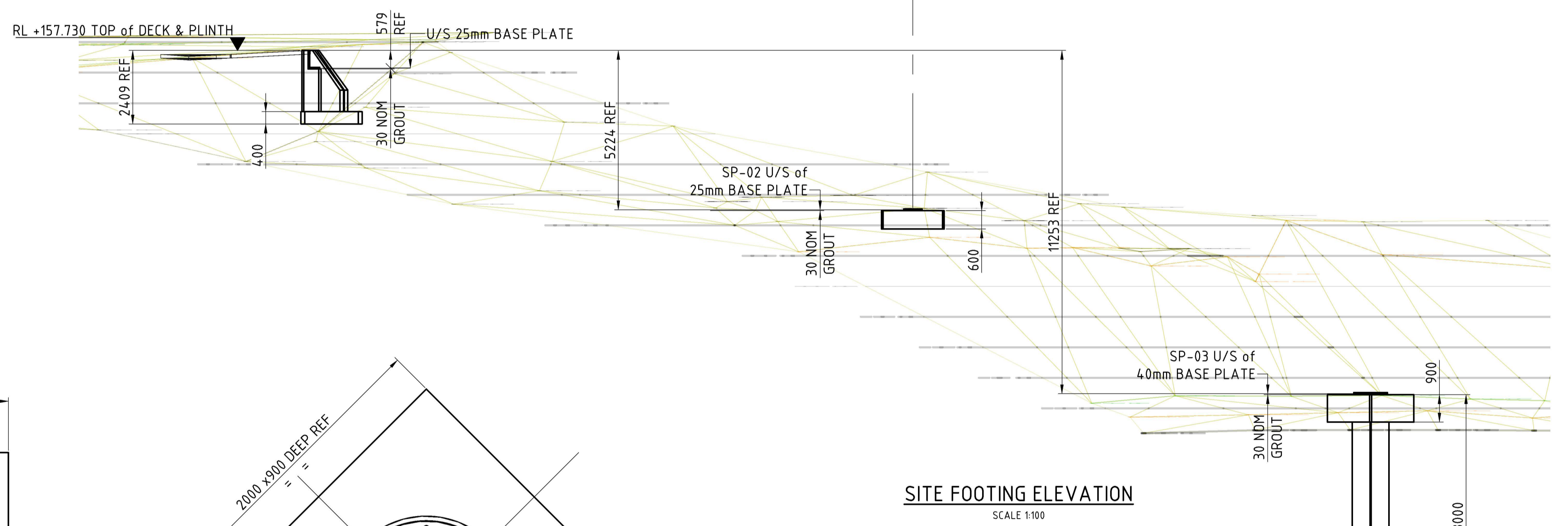
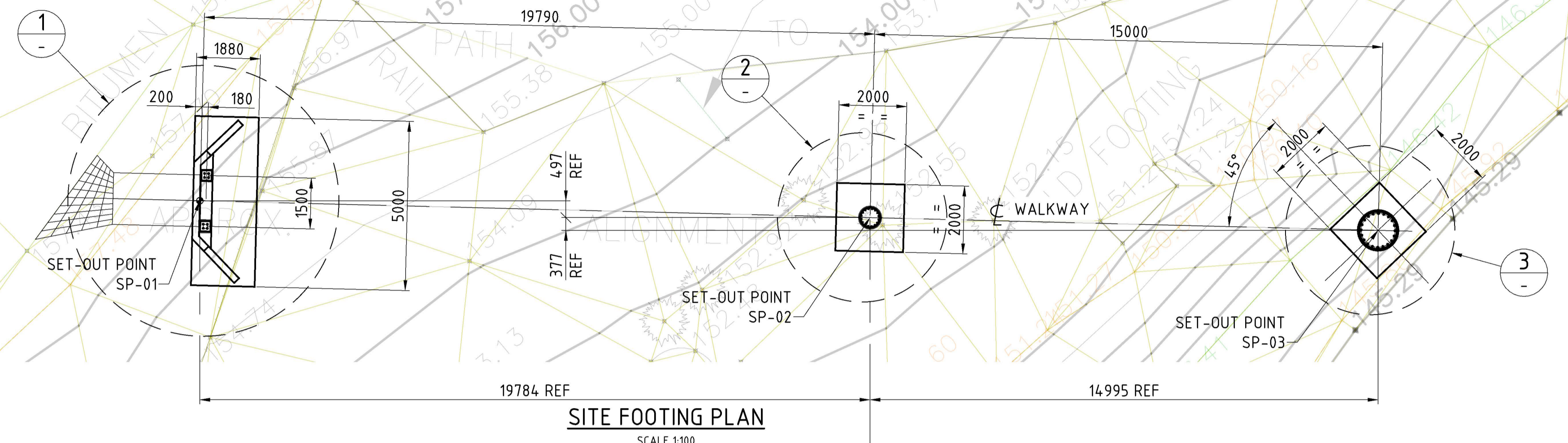


BENCHMARK
RL +157.758

LOCATION POINT				
DESCRIPTIONS	NORTH	EAST	RL's	NOTES
BENCHMARK	4601760.164	6153959.163	157.758	BOLT IN BITUMEN
SET-OUT POINT SP-01	460195.687	6153950.485	157.730	TOP OF PLINITH
SET-OUT POINT SP-02	460215.470	6153949.988	152.506	U/S BASE PLATE
SET-OUT POINT SP-03	460230.466	6153949.611	146.477	U/S BASE PLATE



ASK, IF IN DOUBT. DO NOT OBTAIN INFORMATION BY SCALING.						PRELIMINARY		CLIENT NARRANDERA SHIRE COUNCIL	
REVISION						 A/N 73 168 892 475 19-23 BRIDGE ST, PYMBLE NSW 2073 PHONE 02 8458 3400 www.teleodesign.com.au		TITLE LAKE TALBOT SKYWALK FOOTING LAYOUT	
REV	DATE	ISSUED	CHECKED	APP'D	DESCRIPTION	DRAWN	DATE	CAD FILE NAME	CUSTOMER REF No.
A	10-03-22	SZ	EH	EH	ISSUED FOR APPROVAL	SZ	10-03-22	22164-D-0100	-
<small>This drawing is the property of TELEO DESIGN P/L and is lent to the recipient for his/her confidential use only. In consideration of the loan of this drawing, the recipient promises and agrees that it shall not be used in any way detrimental to the interests of TELEO DESIGN P/L that it shall be returned upon request, and that it shall not be reproduced, copied, lent or otherwise disposed of, directly or indirectly, without the written approval of TELEO DESIGN P/L.</small>						CHECKED	DATE	SCALE	DRAWING NUMBER
						APPROVED	-	1:100	22164-D-0100-03
						 3RD ANGLE		SHT.	TOTAL
								3 OF 3	REV
								A	SIZE
								A1	

DETAIL 1
SCALE 1:20

DETAIL 2
SCALE 1:20

DETAIL 3
SCALE 1:20